

Plinth100

The Plinth100 is our entry level kiosk. Designed for secure self service deployments where touchscreen or keyboard and trackball controlled functionality is only required.



Features

- Slim & contemporary ergonomic design.
- Ideal for corporate foyers, public information points & intranet access.
- Highly attractive and visible front panel branding.
- Powered by ICE Control Kiosk Management Software

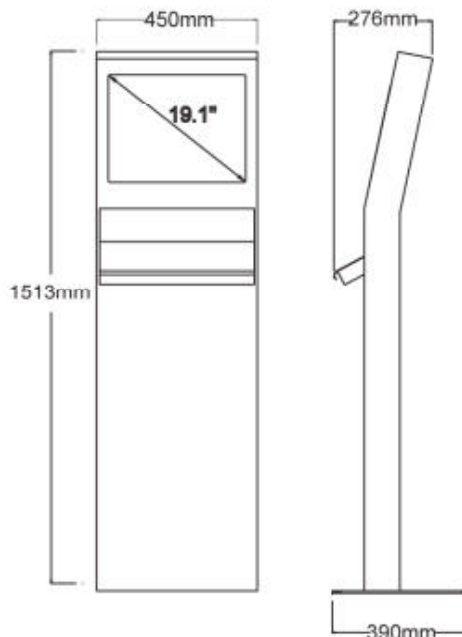
Specification

- Processor: Dell Optiplex Pentium Duo 2.2Ghz
- Memory : 1024MB RAM, 80Gb H/D
- Display : 19.1 TFT Touch or Non Touch Display
- Connectivity: RJ45i
- O/S: Windows XP
- Dimensions: H151cm x W45cm x D28cm (D39cm w. baseplate)
- Weight: 70Kgs
- Housing: Powder Coated Mild Steel
- Colouring: To Customer Specification
- Power: AC 100-240V Max 250W



Peripheral Options

- Display: Choice of 19.1" Touch or Non Touch.
- Pointing Device: IP65 Stainless Steel Trackball
- Keyboard: IP65 Stainless Steel Ruggedized Keyboard
- Audio: Internal Speakers



ICE Tech Limited,
Units 15-16 Clane Business Park,
Clane,
Co. Kildare,
Ireland.
Tel: +353 45 892020
Fax: +353 45 893061

ICE Tech UK,
Ash House,
Fairfield Avenue,
Staines, Middlesex TW18 4AN,
United Kingdom.
Tel: +44 1784 224214
Fax: +44 1784 224402